

WREYFORD NGUNI
 PO BOX 86
 FAUNA PARK
 0787

ANIMAL CERTIFICATE

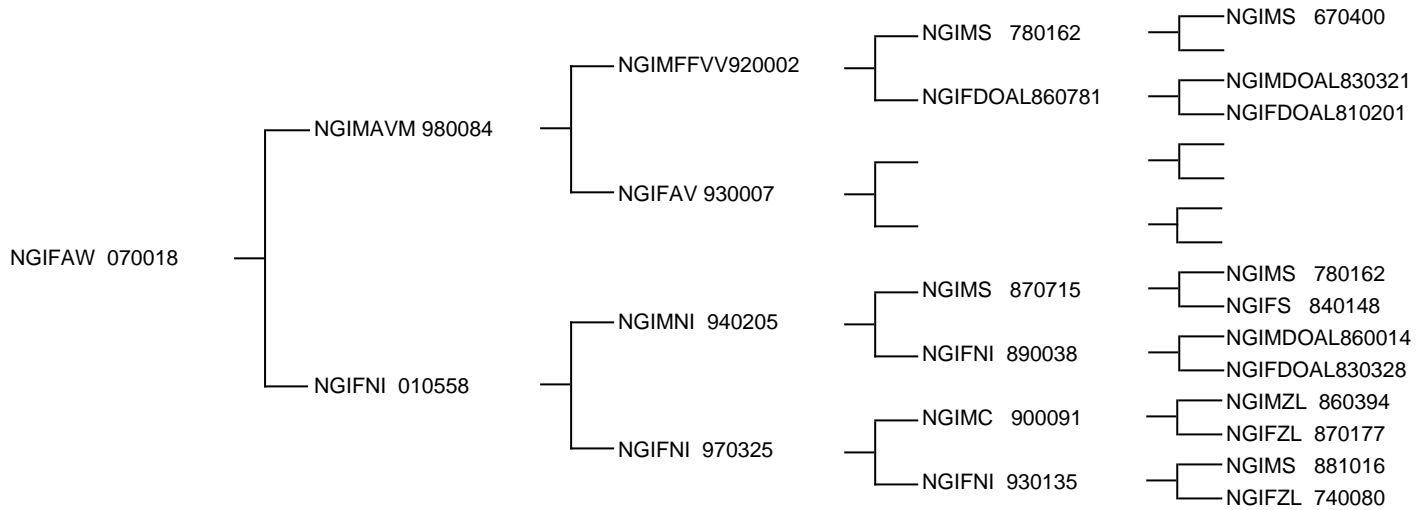
Adrian Wreyford
 0551850
 AW



NGIFAW 070018 **0064833569** **DOB** 2007/07/30 **AGE** 6 **BIRTH WEIGHT** 23 **WEAN WEIGHT**

CALVES 0 **Age First Calf** 0 **DSLC** 0
Ave-ICP N/A **ICP 1-2** N/A **ICP-Last** N/A

SIRE NGIMAVM 980084	DAM NGIFNI 010558	CALVES 4 Ave-ICP 462	Age First Calf 24 ICP 1-2 551	ICP-Last 409
-------------------------------	-----------------------------	---------------------------------------	--	---------------------



WREYFORD NGUNI
 PO BOX 86
 FAUNA PARK
 0787

ANIMAL CERTIFICATE

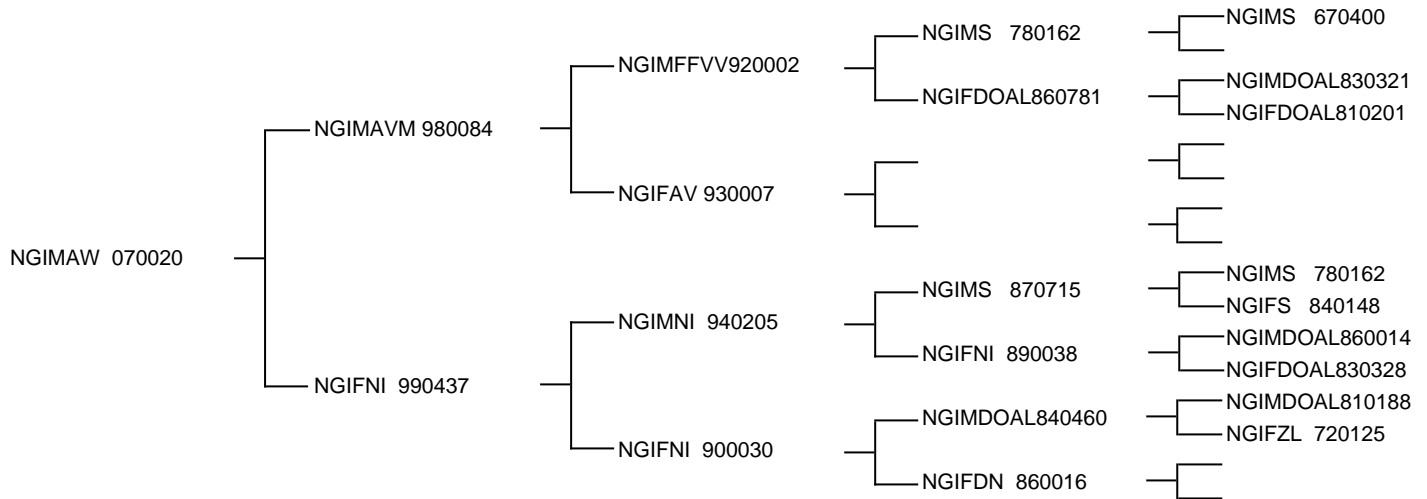
Adrian Wreyford
 0551850
 AW



NGIMAW 070020 **0064842669** **DOB** 2007/08/04 **AGE** 6 **BIRTH WEIGHT** 30 **WEAN WEIGHT**

CALVES 0 **Age First Calf** 0 **DSLC** 0
Ave-ICP N/A **ICP 1-2** N/A **ICP-Last** N/A

SIRE NGIMAVM 980084	DAM NGIFNI 990437	CALVES 5 Ave-ICP 519	Age First Calf 25 ICP 1-2 649	ICP-Last 630
-------------------------------	-----------------------------	---------------------------------------	--	---------------------



WREYFORD NGUNI
 PO BOX 86
 FAUNA PARK
 0787

ANIMAL CERTIFICATE

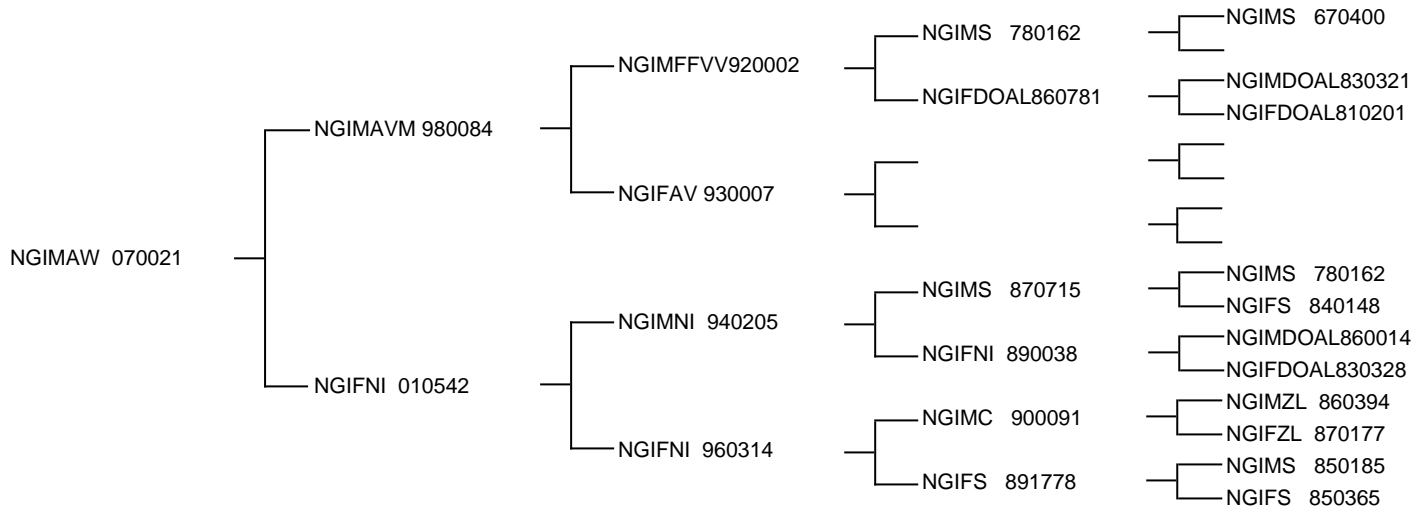
Adrian Wreyford
 0551850
 AW



NGIMAW 070021 **0064865041** **DOB** 2007/08/06 **AGE** 6 **BIRTH WEIGHT** 31 **WEAN WEIGHT**

CALVES 0 **Age First Calf** 0 **DSLC** 0
Ave-ICP N/A **ICP 1-2** N/A **ICP-Last** N/A

SIRE NGIMAVM 980084	DAM NGIFNI 010542	CALVES 4 Ave-ICP 461	Age First Calf 24 ICP 1-2 432	ICP-Last 441
-------------------------------	-----------------------------	---------------------------------------	--	---------------------



WREYFORD NGUNI
 PO BOX 86
 FAUNA PARK
 0787

ANIMAL CERTIFICATE

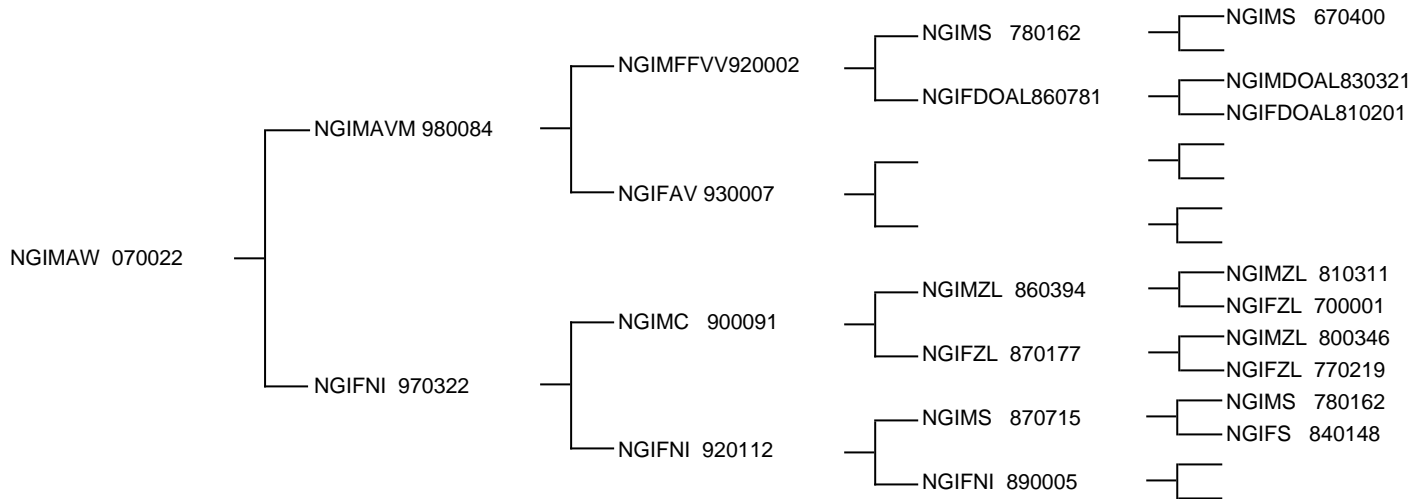
Adrian Wreyford
 0551850
 AW



NGIMAW 070022 **0064870363** **DOB** 2007/08/11 **AGE** 6 **BIRTH WEIGHT** 30 **WEAN WEIGHT**

CALVES 0 **Age First Calf** 0 **DSLC** 0
Ave-ICP N/A **ICP 1-2** N/A **ICP-Last** N/A

SIRE NGIMAVM 980084	DAM NGIFNI 970322	CALVES 8 Ave-ICP 404	Age First Calf 31 ICP 1-2 343	ICP-Last 447
-------------------------------	-----------------------------	---------------------------------------	--	---------------------



WREYFORD NGUNI
 PO BOX 86
 FAUNA PARK
 0787

ANIMAL CERTIFICATE

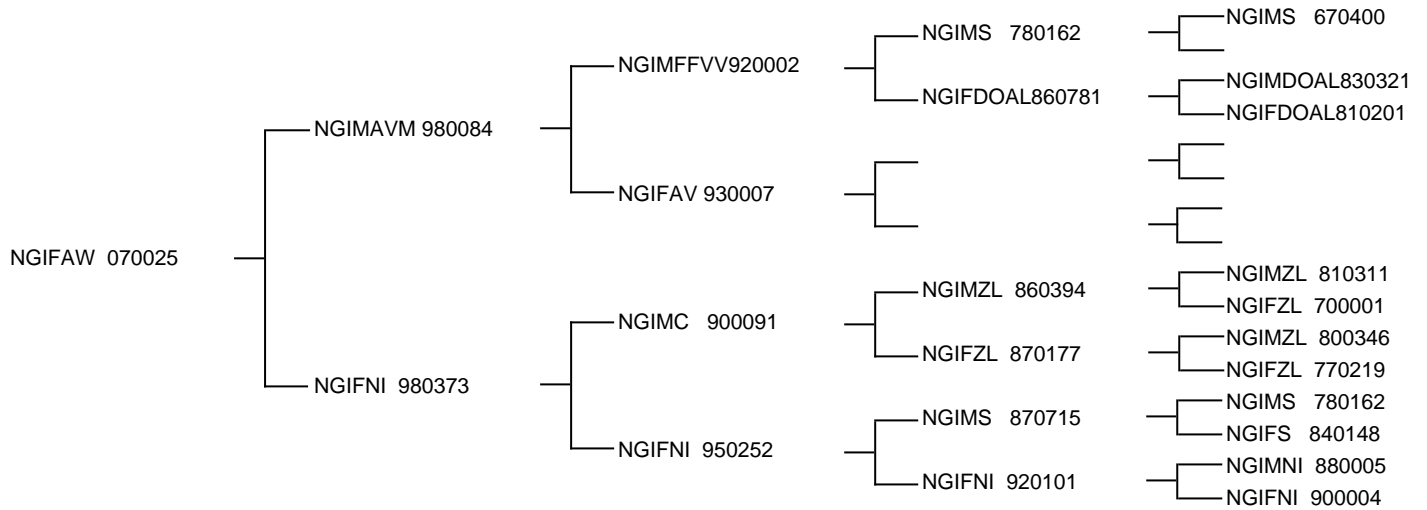
Adrian Wreyford
 0551850
 AW



NGIFAW 070025 **0065116378** DOB 2007/09/25 AGE 5 BIRTH WEIGHT 28 WEAN WEIGHT

CALVES 0 Age First Calf 0 DSLC 0
 Ave-ICP N/A ICP 1-2 N/A ICP-Last N/A

SIRE NGIMAVM 980084	DAM NGIFNI 980373	CALVES 6 Ave-ICP 494	Age First Calf 27 ICP 1-2 374	ICP-Last 663
-------------------------------	-----------------------------	---------------------------------------	--	---------------------



WREYFORD NGUNI
 PO BOX 86
 FAUNA PARK
 0787

ANIMAL CERTIFICATE

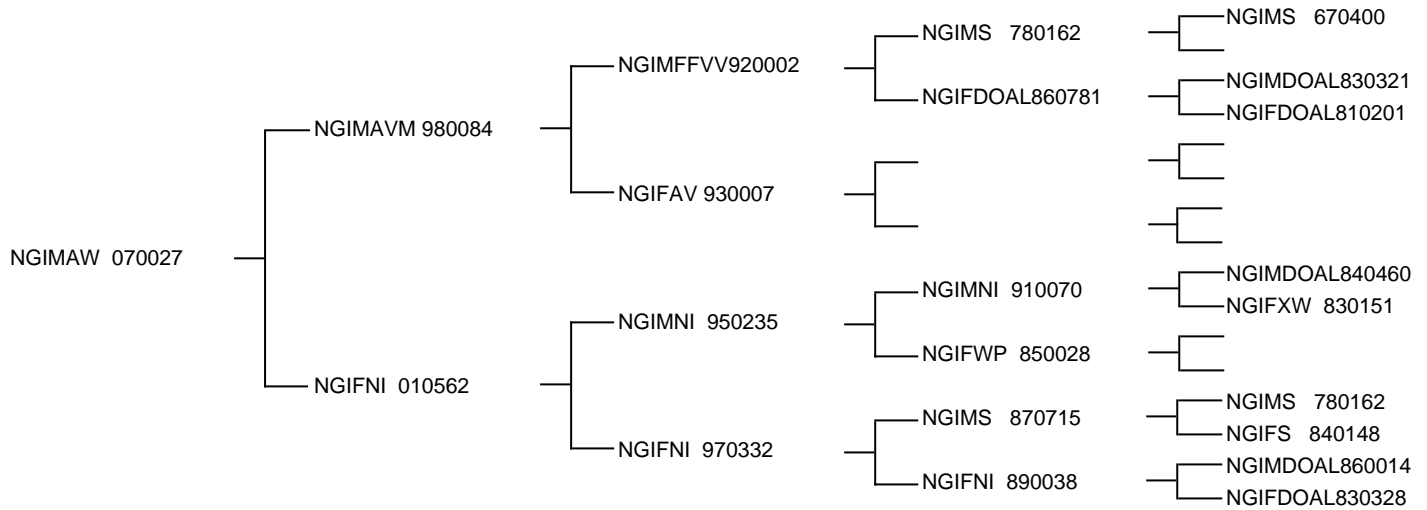
Adrian Wreyford
 0551850
 AW



NGIMAW 070027 **0065112047** **DOB** 2007/10/05 **AGE** 4 **BIRTH WEIGHT** 34 **WEAN WEIGHT**

CALVES 0 **Age First Calf** 0 **DSLC** 0
Ave-ICP N/A **ICP 1-2** N/A **ICP-Last** N/A

SIRE NGIMAVM 980084	DAM NGIFNI 010562	CALVES 3 Ave-ICP 532	Age First Calf 36 ICP 1-2 581	ICP-Last 483
-------------------------------	-----------------------------	---------------------------------------	--	---------------------



WREYFORD NGUNI
 PO BOX 86
 FAUNA PARK
 0787

ANIMAL CERTIFICATE

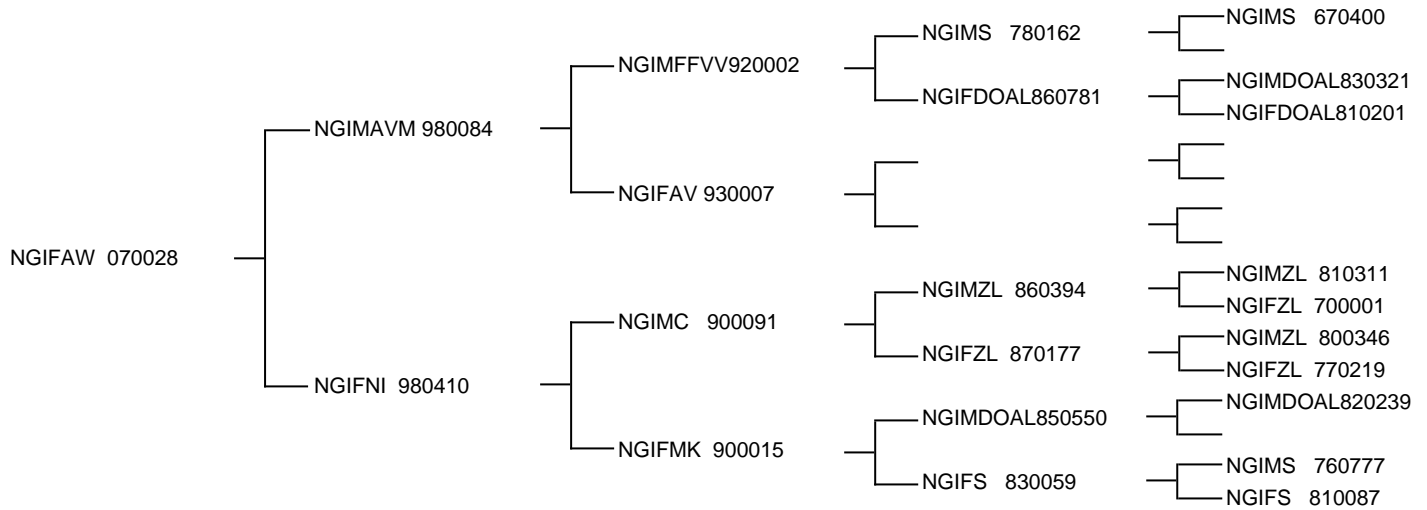
Adrian Wreyford
 0551850
 AW



NGIFAW 070028 **0065112039** DOB 2007/10/05 AGE 4 BIRTH WEIGHT 26 WEAN WEIGHT

CALVES 0 Age First Calf 0 DSLC 0
 Ave-ICP N/A ICP 1-2 N/A ICP-Last N/A

SIRE NGIMAVM 980084	DAM NGIFNI 980410	CALVES 6 Ave-ICP 440	Age First Calf 33 ICP 1-2 458	ICP-Last 410
-------------------------------	-----------------------------	---------------------------------------	--	---------------------



WREYFORD NGUNI
 PO BOX 86
 FAUNA PARK
 0787

ANIMAL CERTIFICATE

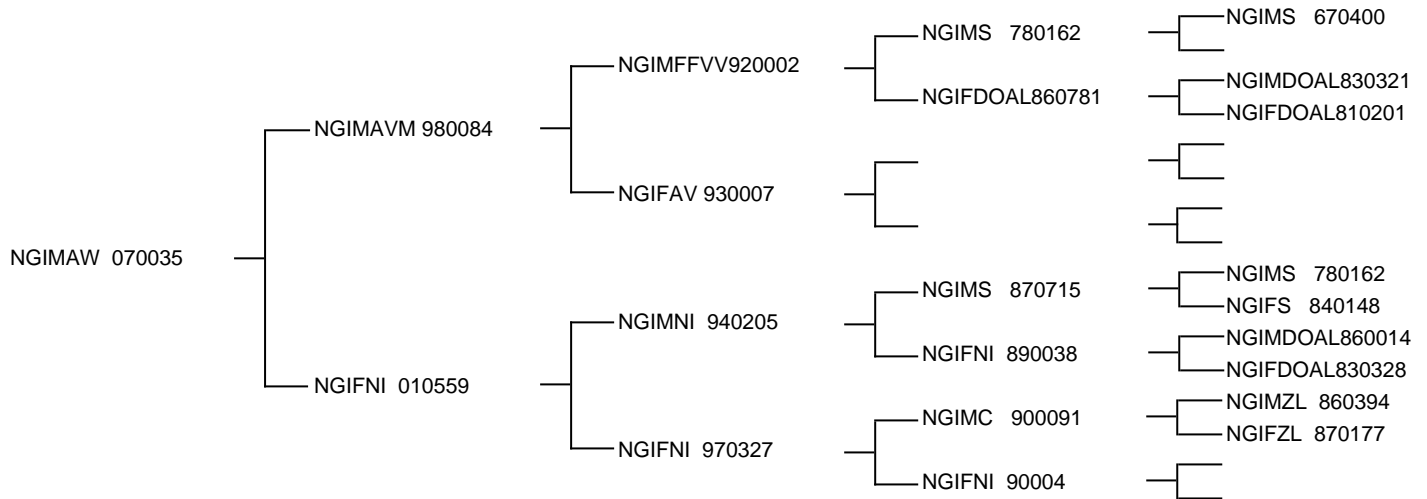
Adrian Wreyford
 0551850
 AW



NGIMAW 070035 **0065253551** **DOB** 2007/10/23 **AGE** 4 **BIRTH WEIGHT** 32 **WEAN WEIGHT**

CALVES 0 **Age First Calf** 0 **DSLC** 0
Ave-ICP N/A **ICP 1-2** N/A **ICP-Last** N/A

SIRE NGIMAVM 980084	DAM NGIFNI 010559	CALVES 4 Ave-ICP 469	Age First Calf 25 ICP 1-2 531	ICP-Last 381
-------------------------------	-----------------------------	---------------------------------------	--	---------------------



WREYFORD NGUNI
 PO BOX 86
 FAUNA PARK
 0787

ANIMAL CERTIFICATE

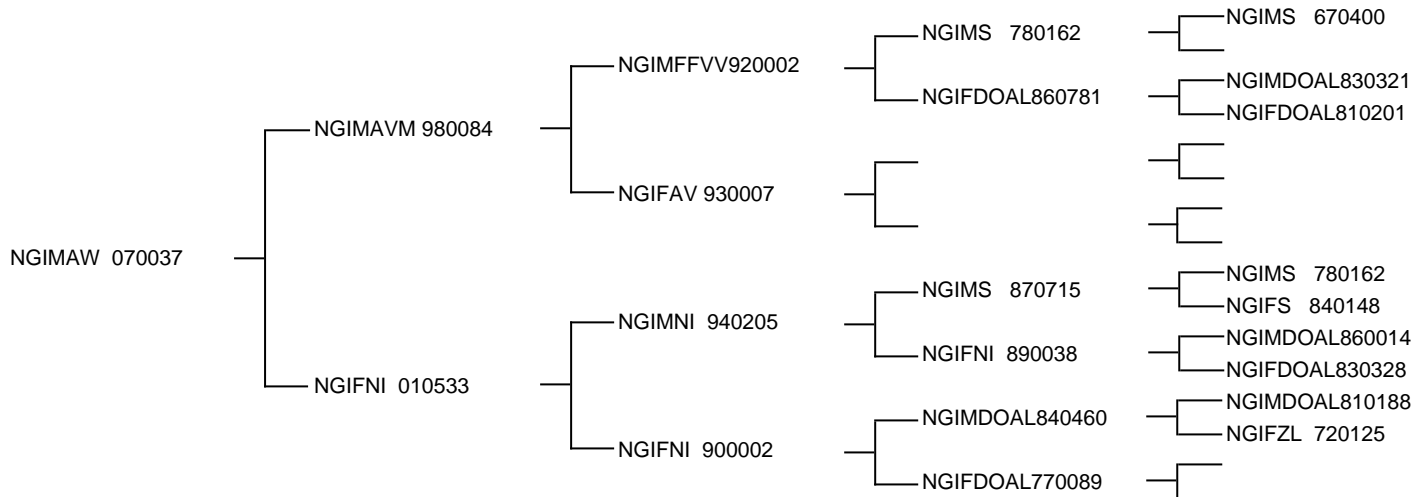
Adrian Wreyford
 0551850
 AW



NGIMAW 070037 **0065253569** **DOB** 2007/10/24 **AGE** 4 **BIRTH WEIGHT** 23 **WEAN WEIGHT**

CALVES 0 **Age First Calf** 0 **DSLC** 0
Ave-ICP N/A **ICP 1-2** N/A **ICP-Last** N/A

SIRE NGIMAVM 980084	DAM NGIFNI 010533	CALVES 4 Ave-ICP 483	Age First Calf 25 ICP 1-2 683	ICP-Last 376
-------------------------------	-----------------------------	---------------------------------------	--	---------------------



WREYFORD NGUNI
 PO BOX 86
 FAUNA PARK
 0787

ANIMAL CERTIFICATE

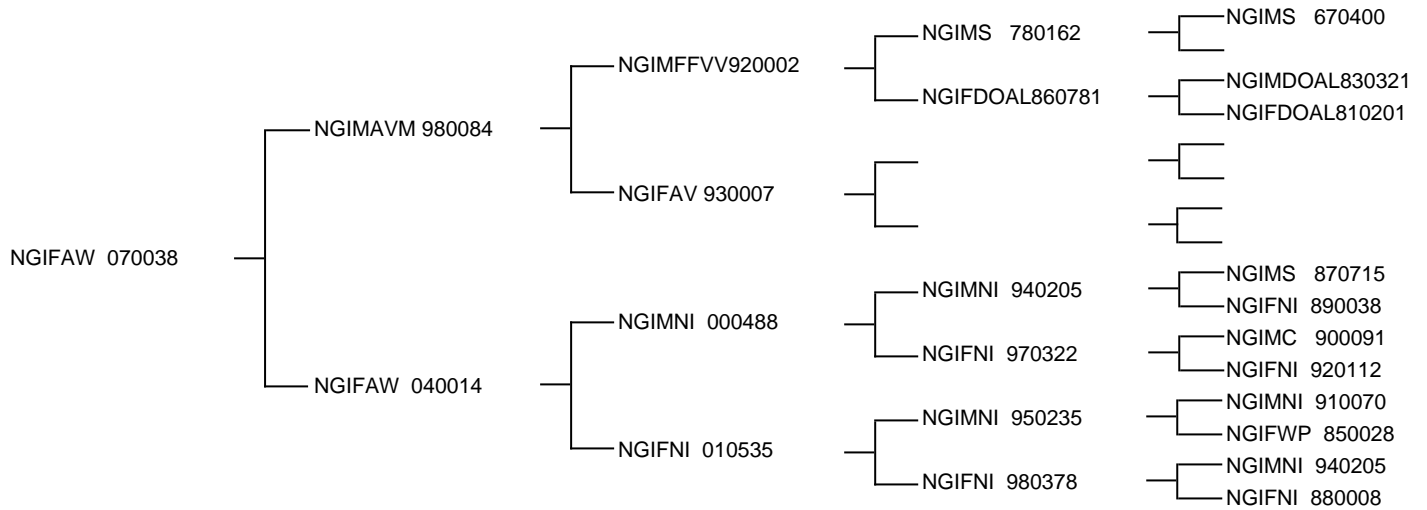
Adrian Wreyford
 0551850
 AW



NGIFAW 070038 **0065278103** **DOB** 2007/11/01 **AGE** 3 **BIRTH WEIGHT** 22 **WEAN WEIGHT**

CALVES 0 **Age First Calf** 0 **DSLC** 0
Ave-ICP N/A **ICP 1-2** N/A **ICP-Last** N/A

SIRE NGIMAVM 980084	DAM NGIFAW 040014	CALVES 1 Ave-ICP N/A	Age First Calf 39 ICP 1-2 N/A	ICP-Last N/A
-------------------------------	-----------------------------	---------------------------------------	--	---------------------



WREYFORD NGUNI
 PO BOX 86
 FAUNA PARK
 0787

ANIMAL CERTIFICATE

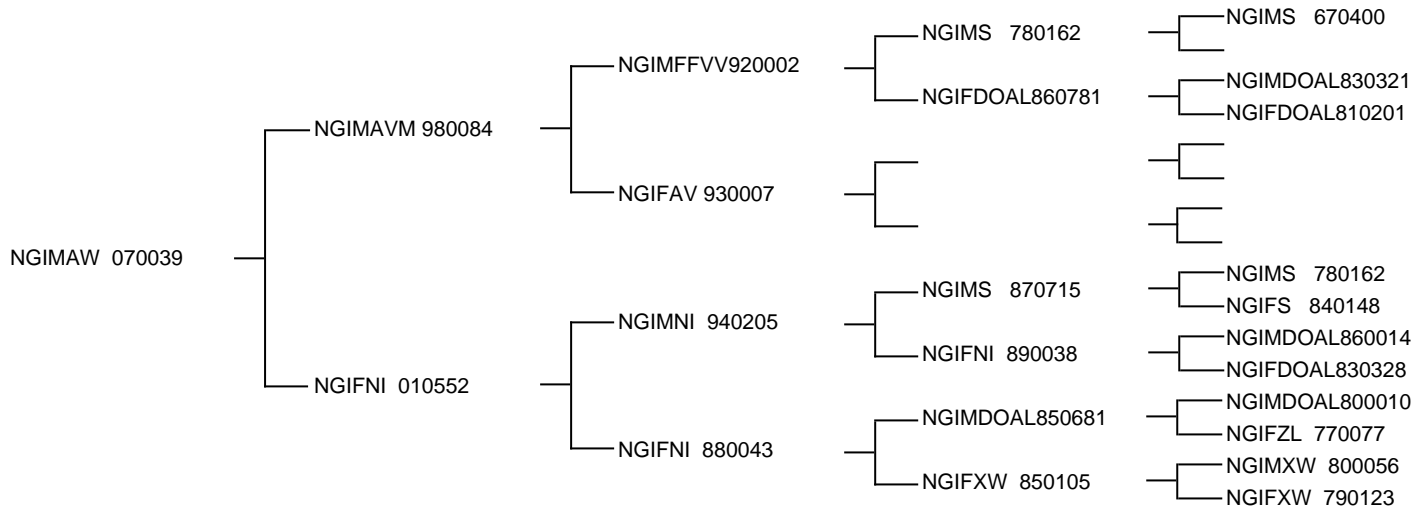
Adrian Wreyford
 0551850
 AW



NGIMAW 070039 **0065342768** **DOB** 2007/11/11 **AGE** 3 **BIRTH WEIGHT** 27 **WEAN WEIGHT**

CALVES 0 **Age First Calf** 0 **DSLC** 0
Ave-ICP N/A **ICP 1-2** N/A **ICP-Last** N/A

SIRE NGIMAVM 980084	DAM NGIFNI 010552	CALVES 4 Ave-ICP 441	Age First Calf 29 ICP 1-2 543	ICP-Last 386
-------------------------------	-----------------------------	---------------------------------------	--	---------------------



WREYFORD NGUNI
 PO BOX 86
 FAUNA PARK
 0787

ANIMAL CERTIFICATE

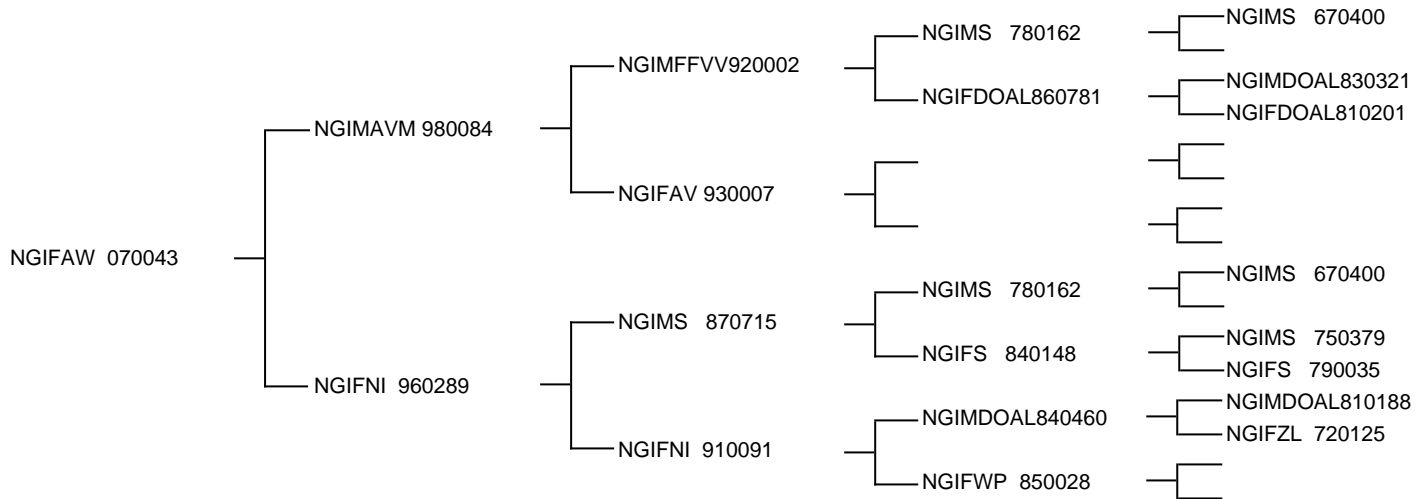
Adrian Wreyford
 0551850
 AW



NGIFAW 070043 **0065501587** DOB 2007/12/05 AGE 2 BIRTH WEIGHT 30 WEAN WEIGHT

CALVES 0 Age First Calf 0 DSLC 0
 Ave-ICP N/A ICP 1-2 N/A ICP-Last N/A

SIRE NGIMAVM 980084	DAM NGIFNI 960289	CALVES 9 Ave-ICP 408	Age First Calf 26 ICP 1-2 326	ICP-Last 384
-------------------------------	-----------------------------	---------------------------------------	--	---------------------



WREYFORD NGUNI
 PO BOX 86
 FAUNA PARK
 0787

ANIMAL CERTIFICATE

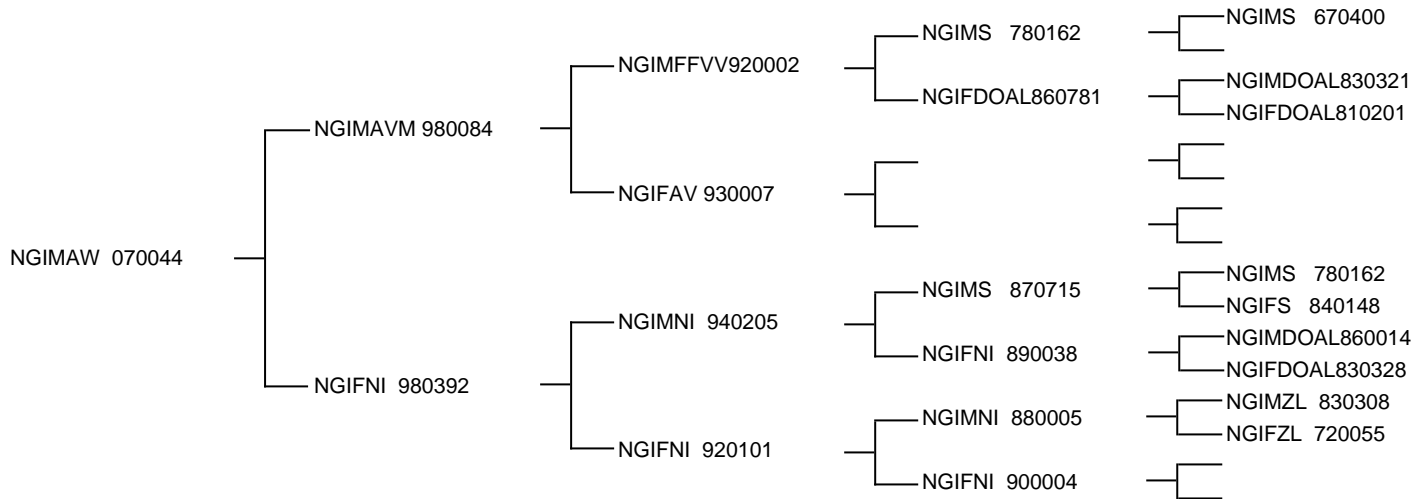
Adrian Wreyford
 0551850
 AW



NGIMAW 070044 **0065485419** **DOB** 2007/12/06 **AGE** 2 **BIRTH WEIGHT** 35 **WEAN WEIGHT**

CALVES 0 **Age First Calf** 0 **DSLC** 0
Ave-ICP N/A **ICP 1-2** N/A **ICP-Last** N/A

SIRE NGIMAVM 980084	DAM NGIFNI 980392	CALVES 7 Ave-ICP 428	Age First Calf 25 ICP 1-2 344	ICP-Last 349
-------------------------------	-----------------------------	---------------------------------------	--	---------------------



WREYFORD NGUNI
 PO BOX 86
 FAUNA PARK
 0787

ANIMAL CERTIFICATE

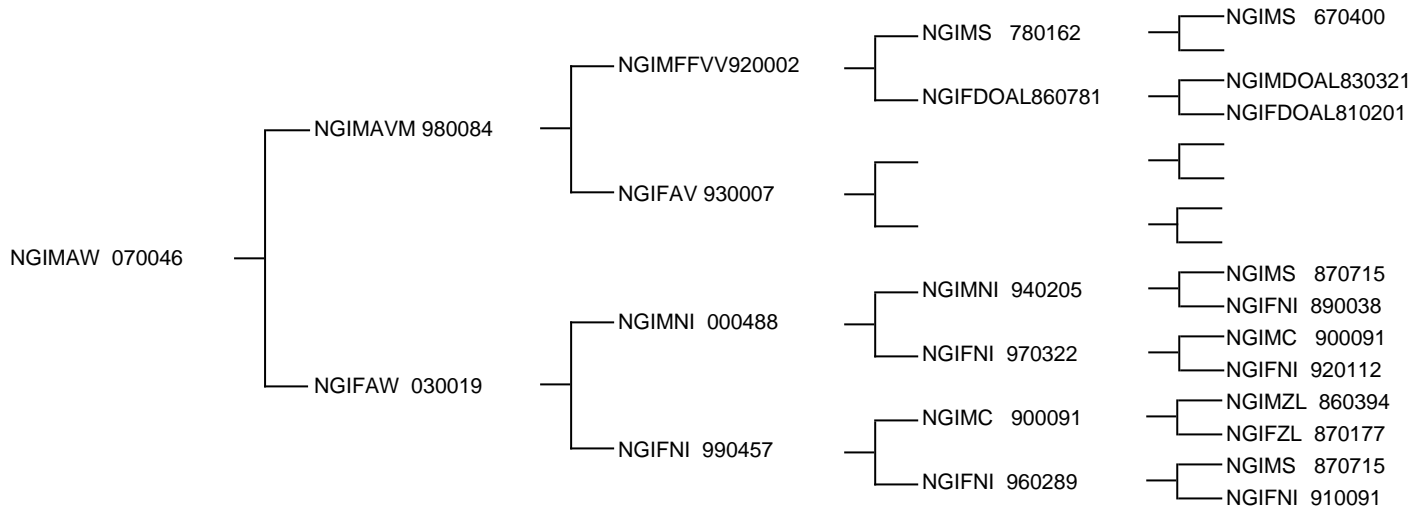
Adrian Wreyford
 0551850
 AW



NGIMAW 070046 **0065485427** **DOB** 2007/12/06 **AGE** 2 **BIRTH WEIGHT** 25 **WEAN WEIGHT**

CALVES 0 **Age First Calf** 0 **DSLC** 0
Ave-ICP N/A **ICP 1-2** N/A **ICP-Last** N/A

SIRE NGIMAVM 980084	DAM NGIFAW 030019	CALVES 2 Ave-ICP 426	Age First Calf 36 ICP 1-2 426	ICP-Last 426
-------------------------------	-----------------------------	---------------------------------------	--	---------------------



WREYFORD NGUNI
 PO BOX 86
 FAUNA PARK
 0787

ANIMAL CERTIFICATE

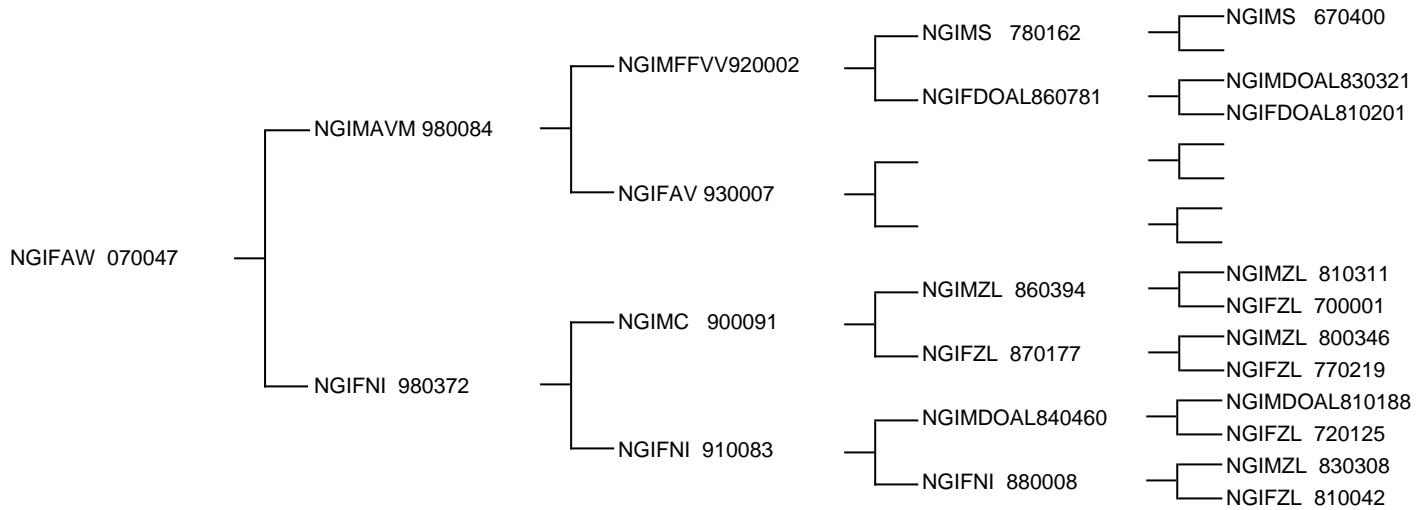
Adrian Wreyford
 0551850
 AW



NGIFAW 070047 **0065538365** **DOB** 2007/12/10 **AGE** 2 **BIRTH WEIGHT** 26 **WEAN WEIGHT**

CALVES 0 **Age First Calf** 0 **DSLC** 0
Ave-ICP N/A **ICP 1-2** N/A **ICP-Last** N/A

SIRE NGIMAVM 980084	DAM NGIFNI 980372	CALVES 7 Ave-ICP 430	Age First Calf 25 ICP 1-2 344	ICP-Last 397
-------------------------------	-----------------------------	---------------------------------------	--	---------------------



WREYFORD NGUNI
 PO BOX 86
 FAUNA PARK
 0787

ANIMAL CERTIFICATE

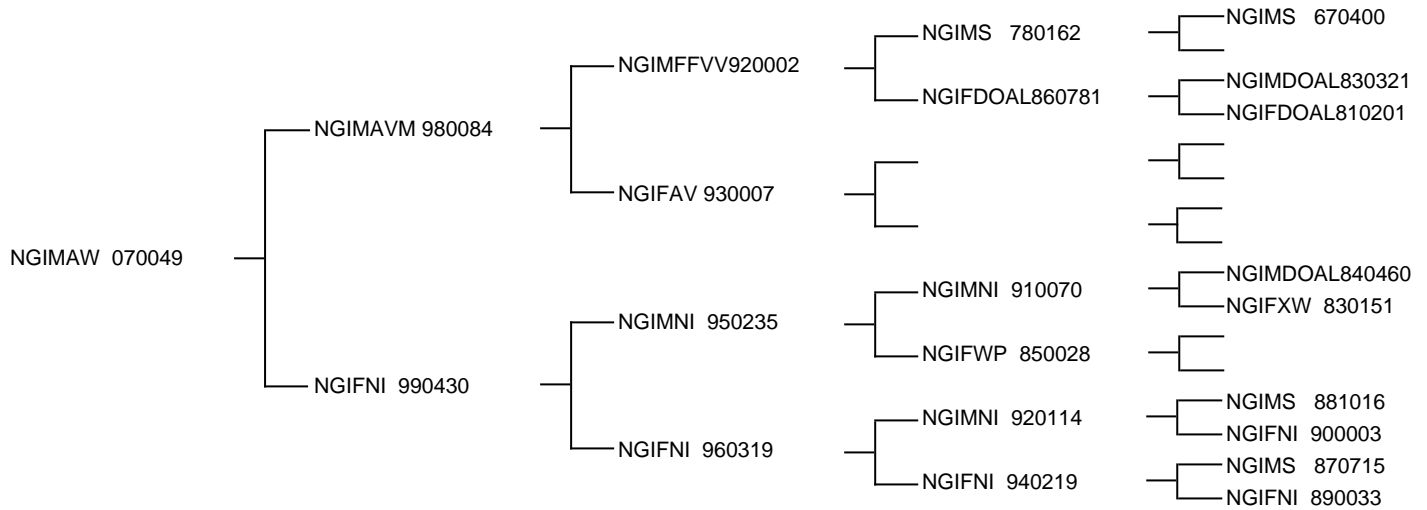
Adrian Wreyford
 0551850
 AW



NGIMAW 070049 **0065584617** **DOB** 2007/12/25 **AGE** 2 **BIRTH WEIGHT** 22 **WEAN WEIGHT**

CALVES 0 **Age First Calf** 0 **DSLC** 0
Ave-ICP N/A **ICP 1-2** N/A **ICP-Last** N/A

SIRE NGIMAVM 980084	DAM NGIFNI 990430	CALVES 6 Ave-ICP 446	Age First Calf 25 ICP 1-2 548	ICP-Last 340
-------------------------------	-----------------------------	---------------------------------------	--	---------------------



WREYFORD NGUNI
 PO BOX 86
 FAUNA PARK
 0787

ANIMAL CERTIFICATE

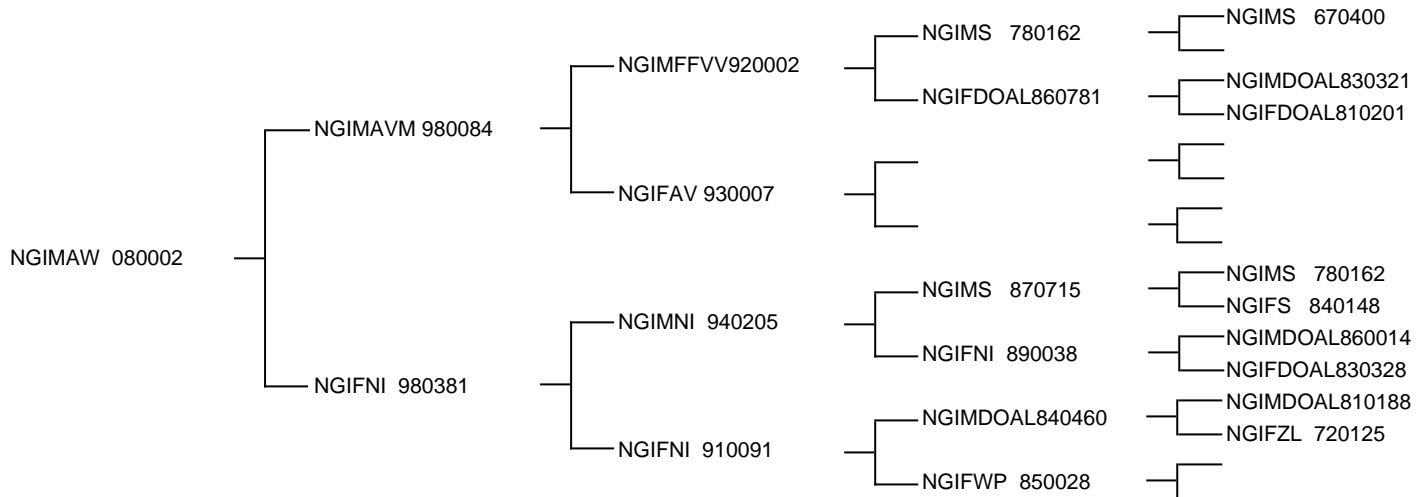
Adrian Wreyford
 0551850
 AW



NGIMAW 080002 **0065763823** **DOB** 2008/01/22 **AGE** 1 **BIRTH WEIGHT** 34 **WEAN WEIGHT**

CALVES 0 **Age First Calf** 0 **DSLC** 0
Ave-ICP N/A **ICP 1-2** N/A **ICP-Last** N/A

SIRE NGIMAVM 980084	DAM NGIFNI 980381	CALVES 7 Ave-ICP 425	Age First Calf 28 ICP 1-2 316	ICP-Last 425
-------------------------------	-----------------------------	---------------------------------------	--	---------------------



WREYFORD NGUNI
 PO BOX 86
 FAUNA PARK
 0787

ANIMAL CERTIFICATE

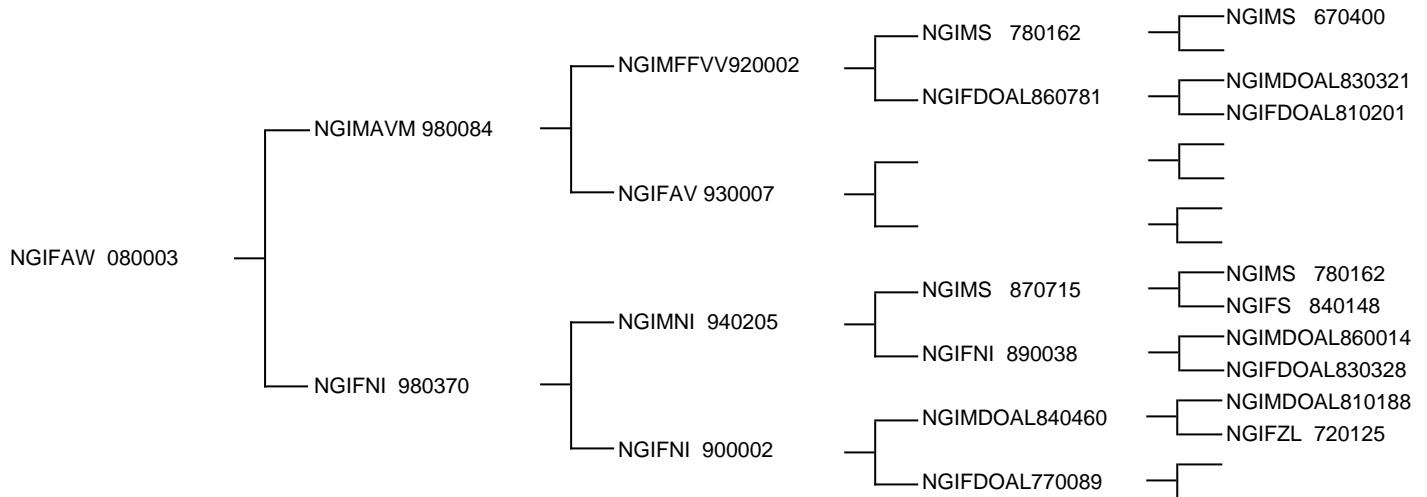
Adrian Wreyford
 0551850
 AW



NGIFAW 080003 **0065780033** **DOB** 2008/01/27 **AGE** 1 **BIRTH WEIGHT** 28 **WEAN WEIGHT**

CALVES 0 **Age First Calf** 0 **DSLC** 0
Ave-ICP N/A **ICP 1-2** N/A **ICP-Last** N/A

SIRE NGIMAVM 980084	DAM NGIFNI 980370	CALVES 7 Ave-ICP 439	Age First Calf 25 ICP 1-2 345	ICP-Last 403
-------------------------------	-----------------------------	---------------------------------------	--	---------------------



WREYFORD NGUNI
 PO BOX 86
 FAUNA PARK
 0787

ANIMAL CERTIFICATE

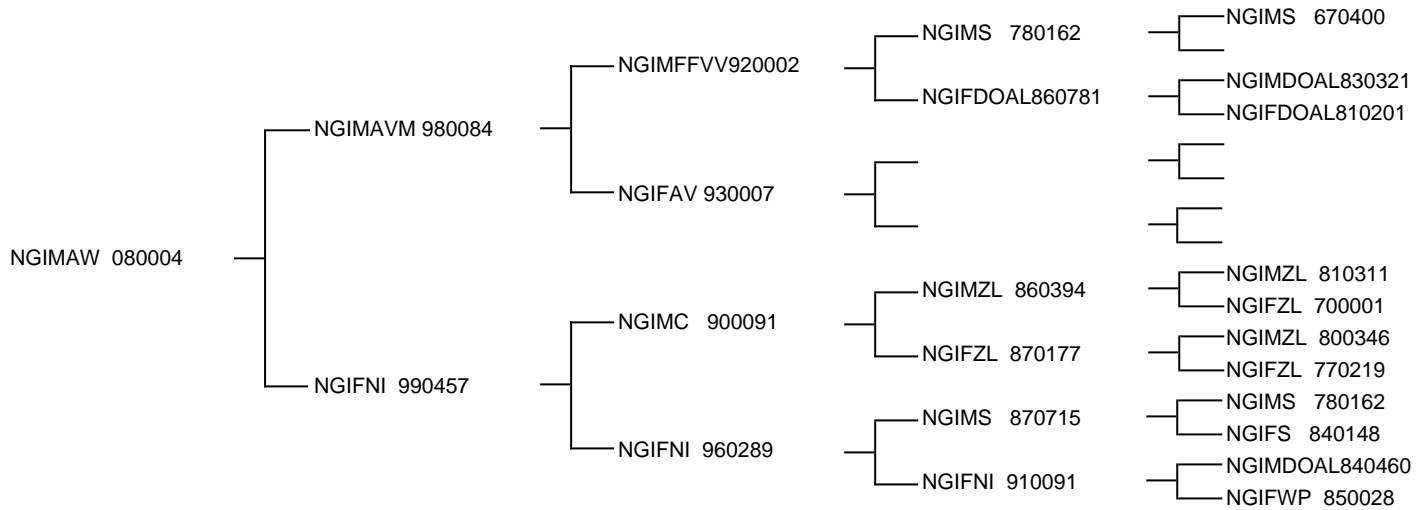
Adrian Wreyford
 0551850
 AW



NGIMAW 080004 **0065778110** **DOB** 2008/01/30 **AGE** 0 **BIRTH WEIGHT** 33 **WEAN WEIGHT**

CALVES 0 **Age First Calf** 0 **DSLC** 0
Ave-ICP N/A **ICP 1-2** N/A **ICP-Last** N/A

SIRE NGIMAVM 980084	DAM NGIFNI 990457	CALVES 6 Ave-ICP 447	Age First Calf 24 ICP 1-2 644	ICP-Last 363
-------------------------------	-----------------------------	---------------------------------------	--	---------------------



WREYFORD NGUNI
 PO BOX 86
 FAUNA PARK
 0787

ANIMAL CERTIFICATE

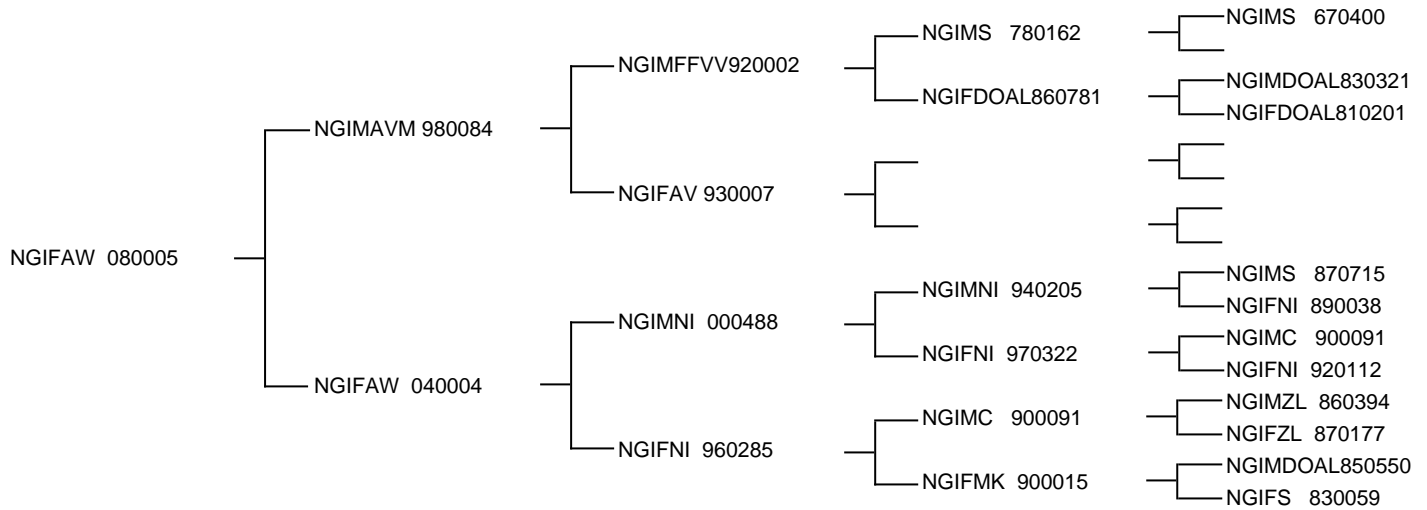
Adrian Wreyford
 0551850
 AW



NGIFAW 080005 **DOB** 2008/02/08 **AGE** 0 **BIRTH WEIGHT** 27.5 **WEAN WEIGHT**

CALVES 0 **Age First Calf** 0 **DSLC** 0
Ave-ICP N/A **ICP 1-2** N/A **ICP-Last** N/A

SIRE NGIMAVM 980084	DAM NGIFAW 040004	CALVES 2 Ave-ICP 378	Age First Calf 32 ICP 1-2 378	ICP-Last 378
-------------------------------	-----------------------------	---------------------------------------	--	---------------------



WREYFORD NGUNI
 PO BOX 86
 FAUNA PARK
 0787

ANIMAL CERTIFICATE

Adrian Wreyford
 0551850
 AW



NGIMAW 080006 **0065873697** **DOB** 2008/02/12 **AGE** 0 **BIRTH WEIGHT** 34.5 **WEAN WEIGHT**

CALVES 0 **Age First Calf** 0 **DSLC** 0
Ave-ICP N/A **ICP 1-2** N/A **ICP-Last** N/A

SIRE NGIMAVM 980084	DAM NGIFNI 980385	CALVES 7 Ave-ICP 435	Age First Calf 26 ICP 1-2 367	ICP-Last 440
-------------------------------	-----------------------------	---------------------------------------	--	---------------------

