

WREYFORD NGUNI  
PO BOX 86  
FAUNA PARK  
0787

# ANIMAL CERTIFICATE

Adrian Wreyford

0551850

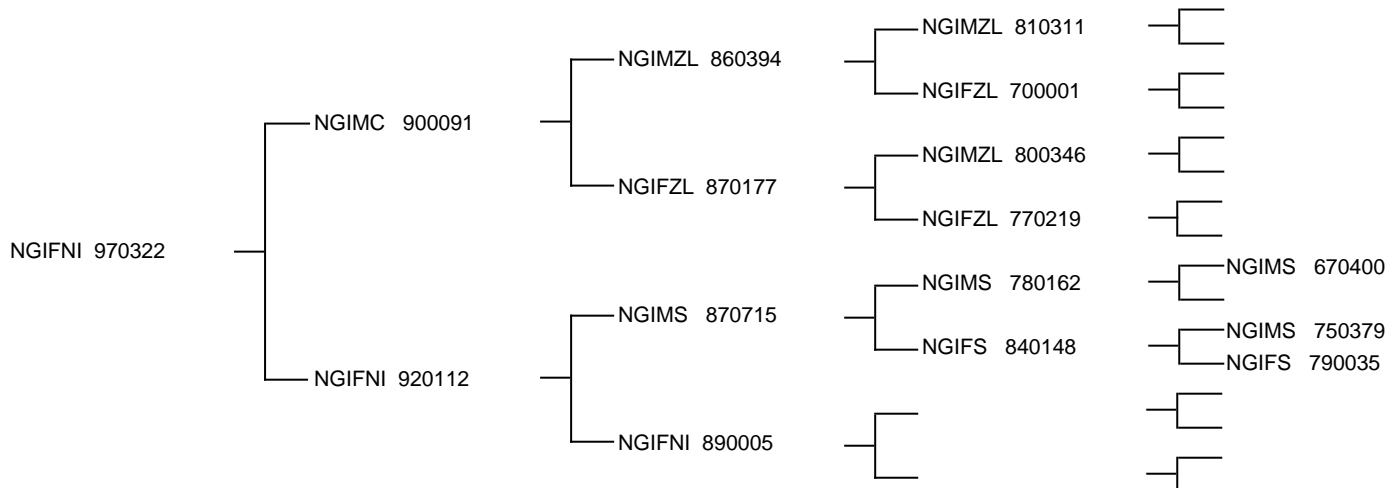
AW



**NGIFNI 970322**      **38425062** DOB 1997/03/16    AGE 131      BIRTH WEIGHT 27    WEAN WEIGHT 190

**CALVES**      8      **Age First Calf** 31      **DSLC** 201  
**Ave-ICP** 404      **ICP 1-2** 343      **ICP-Last** 447

<b>SIRE</b> NGIMC 900091	<b>DAM</b> NGIFNI 920112	<b>CALVES</b> 5 <b>Ave-ICP</b> 340	<b>Age First Calf</b> 30 <b>ICP 1-2</b> 323	<b>ICP-Last</b> 359
-----------------------------	-----------------------------	---------------------------------------	--	---------------------



CALVES	DOB	Gen	Service	Sire
NGIFNI 990456	1999/11/08	F	Natural	<b>NGIMNI 950235</b>
NGIMNI 000488	2000/10/16	M	Natural	<b>NGIMNI 940205</b>
NGIFNI 010560	2001/10/16	F	Natural	<b>NGIMNI 950235</b>
NGIFAW 030005	2003/05/17	F	Natural	<b>NGIMNI 940205</b>
NGIMAW 040002	2004/04/01	M	Natural	<b>NGIMNI 000488</b>
NGIMAW 050008	2005/05/25	M	Natural	<b>NGIMAVM 980084</b>
NGIMAW 060007	2006/05/21	M	Natural	<b>NGIMAVM 980084</b>
NGIMAW 070022	2007/08/11	M	Natural	<b>NGIMAVM 980084</b>